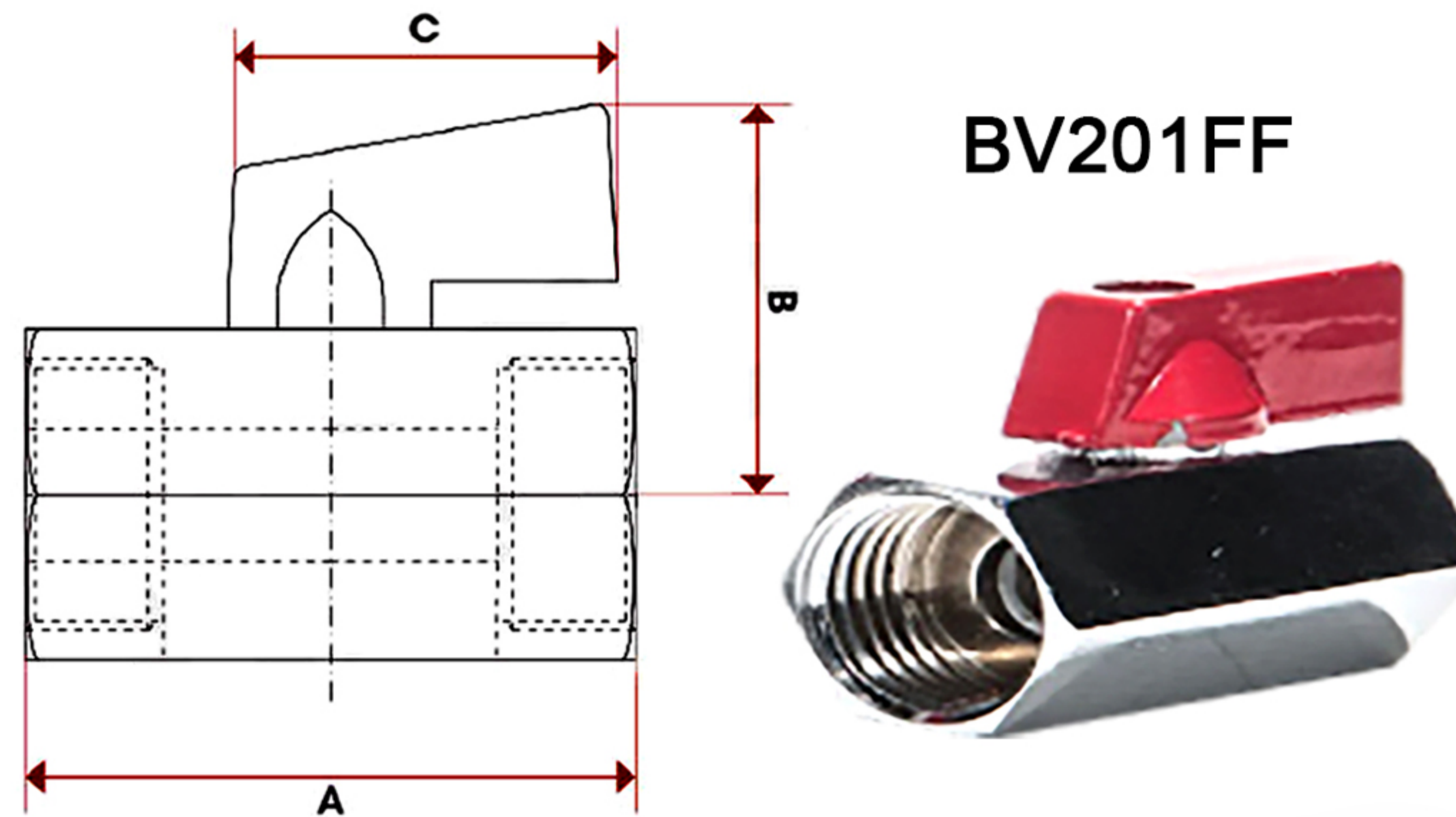


MINI BALL VALVE

FEATURE

1. Nominal Pressure : 200 psi
2. Working Medium : Water , Gas
3. Working Pressure (Saturated Steam) : 125 psi
4. Thread : BSTP BS21

*End threads conform to the British standard Taper pipe threads.



MATERIALS

NO.	NAME OF PARTS	MATERIAL
1	Body	Forged Brass + Cr Plating
2	Stem	Brass
3	Steat	PTFE
4	Ball	Brass + Cr Plating
5	Handle	Aluminum + Epoxy Coaing

DIMENSIONS

Unit : mm.

Model	SIZE	D	C	H	H
BV201FF	1/2"	10	54	39	39
BV201MF	3/4"	10	69	50	50